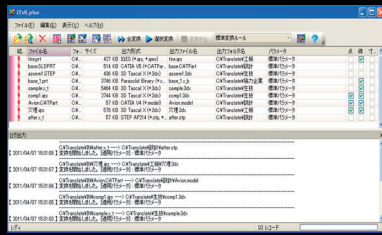


## [List of accessory modules]

### 3d data batch conversion module

## i2x Plus

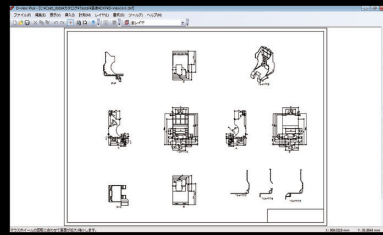
It allows batch conversion various 3D data formats by drag & drop.



### 2D Viewer

## D-view Plus

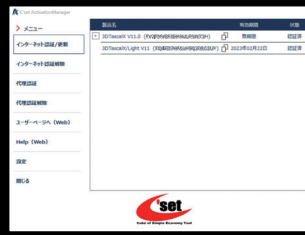
Reading, a measurement, conversion, 1/1 printing of various 2D data is enabled.



### License management tool

## Activation Manager

Utility tool for license activation (also proxy activation) and deactivation.



### [List of 3DTascalX function]

- ◆ Visualize Shaded,Wire,Hidden lines,Shaded with edges,Transparency,Clipping,Perspective,Focus,Viewpoint,Spot lights,Light weighting, Parts search,Subscreen
- ◆ Measure Distance,Angle,Radius/Diameter,Radius of surface/C chamfering,Hole,Lineal length,Volume,Surface area,Weight,Maximum size, Coordinate level,Offset coordinate level
- ◆ 3DSketch Point,Straight line,Circle,Spline,Plane,Projection point·line,Surface intrsection line,Center line,UVline,Edge→Line,Trim line, Extend·showten line,Joint line,Area line
- ◆ Drawing Batch drawing,Projection view,Isometric view,Arrow view,Section view,Car line,Parts list,Dimension,Comment,Add coordinate, Approximate arc,Scale·Line type·Coloring
- ◆ Model Operation Convert into solid,Convert into sheet,Offset surface,Fill holes automatically,Delete surface manually,Delete hole loop of surface,Body check,Coloring,Projection plane,Merge Faces
- ◆ Move Diret,Mirror,Parallel,Rotate,Align height,Align 2 axis,Origin axis
- ◆ Analyze Clasify height,Clasify draft,Compare models,Clasify undercut,Shrinkage
- ◆ Others Local coordinate,Comment,Viewpoint,Presentation,Mark up,Thumbnail display

## Products·Price·Supported file formats/System requirements

Product	Product Price/Maintenance fee (exclusive of tax)	Read data	Write data
3DTascalX	\$2,620 / \$550	IGES, STEP, Parasolid, SOLIDWORKS, 2DDXF, DWG, HPGL	IGES, STEP, Parasolid, SOLIDWORKS, STL, 2DDXF, DWG, Nasuka files

Interface products	Annual fee for use(exclusive of tax)
CATIA V5 (Read)	\$620
CATIA V5 (Write)	\$1,100
CATIA V4 (Read/Write)	\$420
NX (Read)	\$420
Creo Parametric (Read)	\$420
CFIO (Read)	\$420
Inventor (Read)	\$330
JT (Read)	\$330
JT&3DPDF (Write)	\$330
ACIS (Read/Write)	\$30

CPU	Intel Core 2 Duo 2.40GHz or faster
RAM	64bitOS : 4GB or newer
OS	Windows 7 Professional Windows 8.1 Pro / 10 Pro / 11Pro (desktop mode)
Browser	Internet Explorer 6.0 or higher (3DTascalX/Light Authentication)
Graphics	Graphics corresponding to the OpneGL accelerator
Others	-

\* Please check newest recommended specs at our Website.

※The interface option products does not operate alone. You need 3DTascalX also.

※It necessary both maintenance fee of 3DTascalX and annual fee of interface option products for use.

※Once annual fee is canceled, the hard key will be replaced. Then you can not continue using interface option products.

※Depending on PC performance, it may be affected when handling so big assembly data or much complicated model data.

## 365day subscription type「3DTascalX」

high cost performance!!

High precision & Multi-function 3D Viewer

# 3DTascalX/Light

Free Trial → <https://www.3dtascal.com/>  
Contact Us → [x@3dtascal.com](mailto:x@3dtascal.com)



[Contact Us]



C'set CO.,LTD.

4F Atlas Building, 5-3 Ichibancho, Chiyoda-ku, Tokyo 102-0082 JAPAN

Cube of Simple Economy Tool TEL +81 3 6261 0389 FAX +81 3 6630 8080

※The Product names described in this catalog are trademarks or registered trademarks of each companies. ※These contents in this catalog may be changed without any notice. ※These contents are written at Oct. 2022

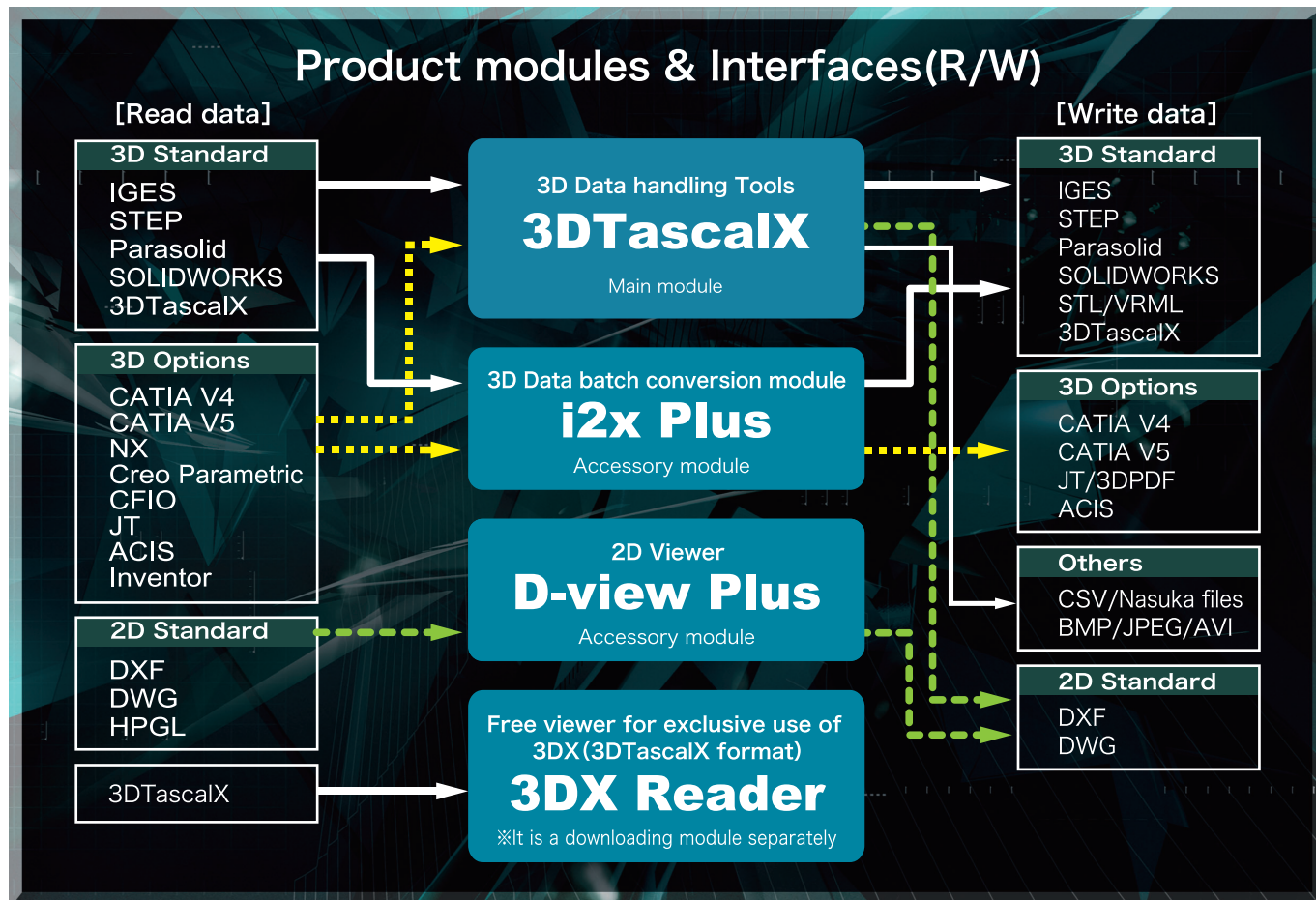
## Beyond the 3D viewer

High grade 3D data handling tool

# 3DTascalX

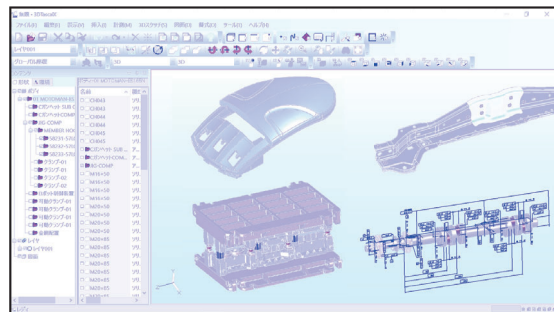
## C'set Co., Ltd.

# You need only "Tascal" for your manufacturing! >>>> 3D data handling tool beyond the 3D viewer

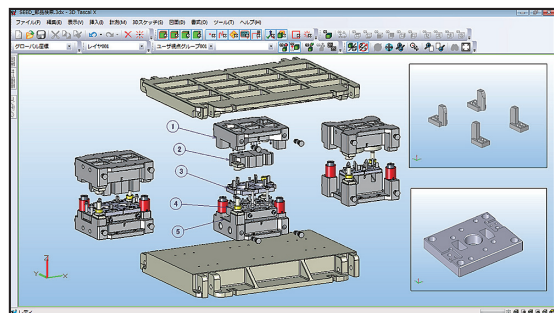


## [Visualize] You can confirm 3D models by various expression

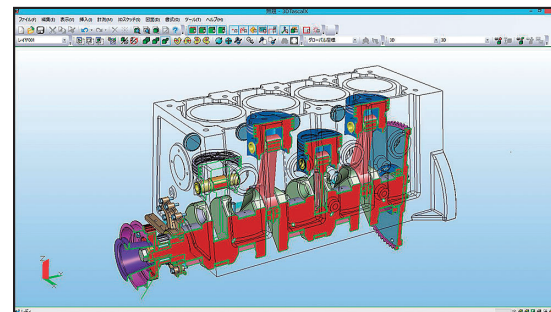
3DTascalX is more than just a viewer that looks at the shape of a 3D model. It is possible to import and display part colors, assembly hierarchy, annotations (PMI) and property information. In addition, multiple expressions such as cross-section, transparency, and hidden line display make it easy to see and share.



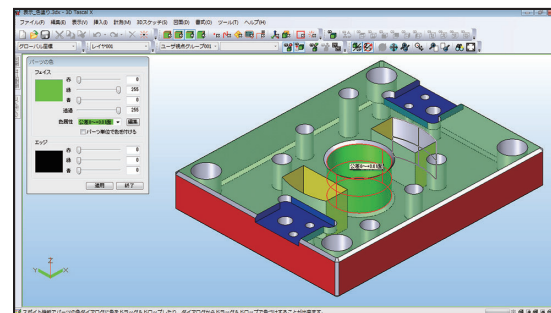
**View function** [Data offer: NISSEI PLASTIC INDUSTRIAL CO., LTD./SEED Ltd.]  
3DTascalX supports the data from various industries such as large-scale assemblies, single parts, presses, molds, dies, and parts processing.



**Numbering·Parts search·Move function**  
You can make the understandable work instructions, or the processing estimate easily by using these functions.



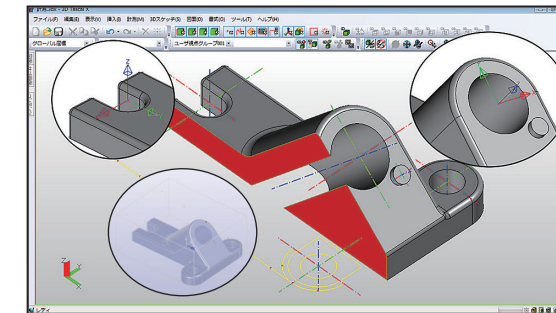
**Display & Cross section function**  
Various expression such as shading, wire, transparency etc are supported. It is possible to display an arbitrary accurate clipping section.



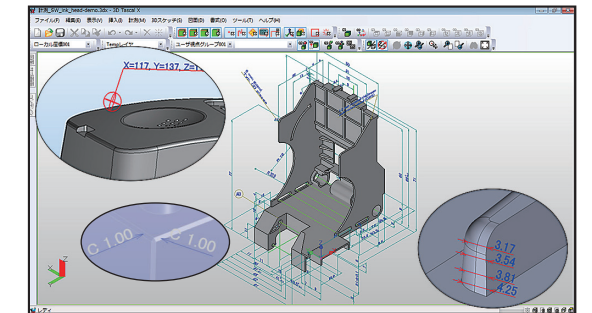
**Paint function**  
You can easily add a color to a part, a surface, an edge, furthermore, you can set the attribute every color at a color table.

## [Measurement] You can easily acquire highly precise dimensions from 3D model

Because it is made with Parasolid kernel like many 3DCADs, you can get highly precise coordinate level and dimensions of nano-order. TascalX has truly practical measurement performance.



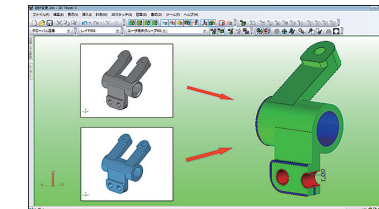
**3D sketching · Local coordinate function**  
You can easily make a virtual point and line, a local coordinate on three dimensions. It is not necessary to appoint a plane like 3DCAD.



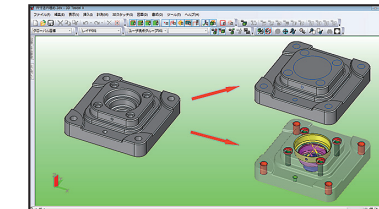
**Measurement function**  
You can easily place dimensions by intuitive operation on 3D space. It is like the totally 2D drawing. In addition, it can measure various types of thickness and probe coordinate.

## [Analyze] You can fully utilizing a visualization performance of 3D

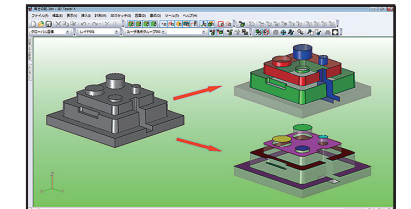
It is possible to extract and color classification the same surface height, slope angle, undercut, wall thickness, difference between the two parts (shape comparison), and holes. It is also possible to fill gaps in missing faces and merge unnecessarily split faces. In addition, the projected area and the shrinkage function of the parts can be used to examine the manufacturing prospects.



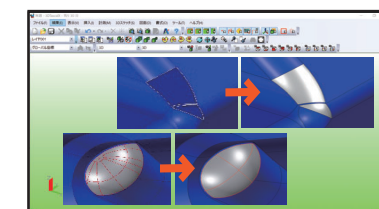
**Model compares function**  
You compare two models and can classify a difference by color.



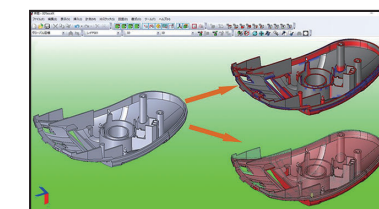
**Patch holes·Classification of the hole diameter function**  
You can patch the hole of the part; and you can classify hole by color.



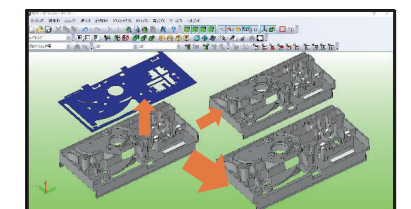
**Color classification of drafts · height function**  
You can classify it with a color 'drafts' and 'height' of the shape.



**Healing Gap / Merge Faces function**  
You can detect a surface lack and fix it. Also divided faces can be merged.



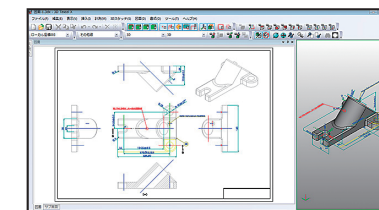
**Classification Undercut & Thickness function**  
You can analyze an undercut & a thickness.



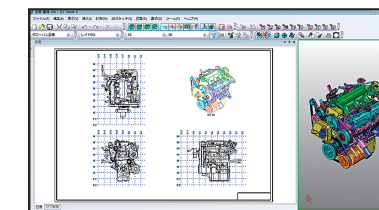
**Projection area / Shrinkage Function**  
You can create projection surface, also can change size for simulate the finished.

## [Drawing] Create 2D drawing from 3D model

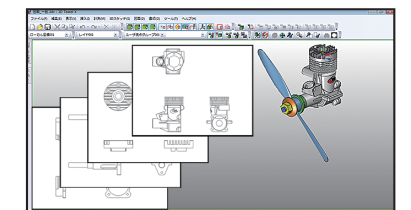
It is possible to make a 2D drawing (each view / cross section) including the dimensions, comments, and PMI of the 3D model. Splines can also be output as approximate straight lines and arcs.



**Drawing dimensions and comment**



**Car line drawing**



**Batch drawing**

## [Animation] You can prevent a mistake by making easy understanding presentation

You can easily make an animation by arranging viewpoints like slide show.

